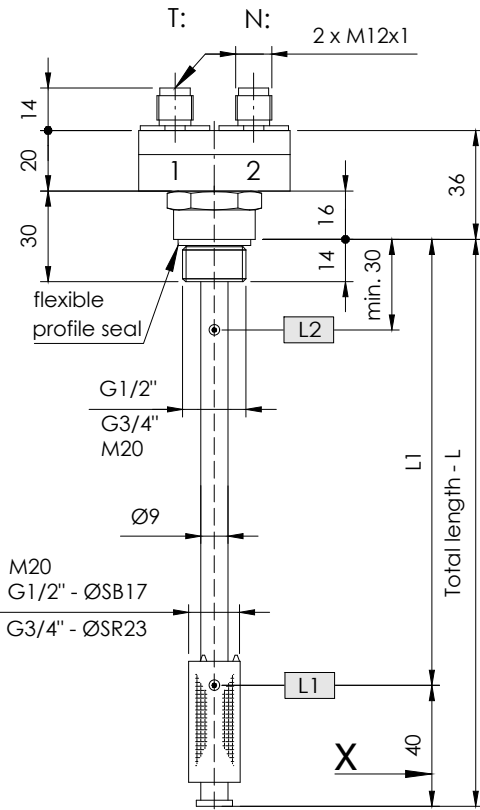


# NR 1/2"A - 3/4"A - M20A

## Level regulator for tank insert

serial No. Date  
IN - GB - 100E - 04/23



Minimum distance of the contacts  
see data sheet IN-GB-003.

$$\begin{aligned}
 X &= L1-L2 + 1 \text{ Thermal contact} + 60\text{mm} \\
 &L1-L2 + 2 \text{ Thermokontakte} + 90\text{mm} \\
 &L1-L2 + \text{Pt 100 / Pt 1000} + 55\text{mm}
 \end{aligned}$$

When ordering Pt100 / 1000  
indication of connection II, III or IV - conductors.

Order code

### Specimen order

**NR1/2"A-L260-01-L1/200/S-T/70Ö-2M12-24V**

Tank  
connection:  
G1/2" A  
G3/4" A  
M20 A

Total length-L  
of switching tube(mm)

Level contact type  
01 = fixed, plain

Switching point L1-L2/  
mm from sealing edge  
Ö = break  
S = make  
Function with  
increasing level

Plug socket connector:  
2xM12 - 24V

Operating voltage  
VDC 10-36 = 24V

Pt100  
Pt1000  
Thermal contact  
T10Ö  
T40Ö  
T50Ö  
T60Ö (S) (preferred  
T70Ö (S) break)  
T80Ö (S)  
T90Ö  
(Indicate T1...T2...  
for two thermal contacts)

## Description

The level regulator type NR 1/2", 3/4" M20 for tank insert is a solenoid switch operating without contact with the function of monitoring and regulating liquid levels and temperatures. The switching tube contains bistable protective gas contacts, fixed in position. For fixed contacts, the contact intervals and their function must be given. The permanent magnet built into the float switches the contacts when the level changes. The switching difference (hysteresis) is 4 mm. For temperature monitoring and regulation, thermal elements such as thermal contacts or Pt100 / Pt1000 can be additionally incorporated. The level regulator is maintenance - free when nondeposit media are used. For inductive loads, a protective circuit must be provided (free-wheeling diode/RC element).

The device must only be installed by specialists.

Max. viscosity ISO 150mm<sup>2</sup>/S

## Technical data

Switching tube  
Connection

Nominal pressure  
Temperature of medium  
Float  
Medium density  
Level contacts  
Operating voltage  
Contact details  
Thermal elements

Thermal contacts

Number of functions  
Mounting position

Brass, max. L = 800mm  
Brass: G1/2" , SW27  
Brass: G3/4" , SW32  
Brass: M20x1,5  
1 bar max.  
100°C max.  
SB17, SR23 - Hart Pu  
0,80 kg/dm<sup>3</sup> min.  
Bistable Make / Break contacts  
36V DC  
Datasheet: IN-GB-003  
Pt100 / Pt1000 DIN EN 60751  
Datasheet: IN-D-005  
Switchpoint: ± 5K  
Hysteresis: 20K ± 5K  
max. 4 can be incorporated  
vertical ± 30°

Technical data



**GOLDAMMER**  
REGELUNGSTECHNIK GMBH

SCHÖLLERSHEIDER STR. 15  
POSTFACH 10 02 17  
D-40802 METTMANN

TELEFON 02104/12093  
TELEFAX 02104/12028

www.Goldammer-Regelungstechnik.com  
info@goldammer-regelungstechnik.com

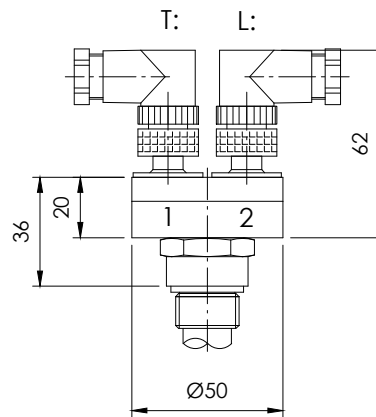
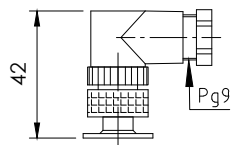
# Level regulator

## Plug variants and terminal pin assignment

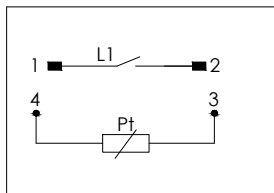
serial No.    Date  
IN - GB - 100E - 04/23

Standard pin assignment  
Function with increasing level / temperature

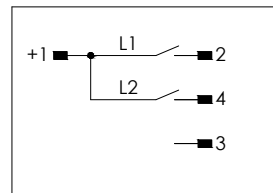
Plug connection  
M12 IP67  
5-polig



### Temperature 1



### Level 2



Other pin assignments as required