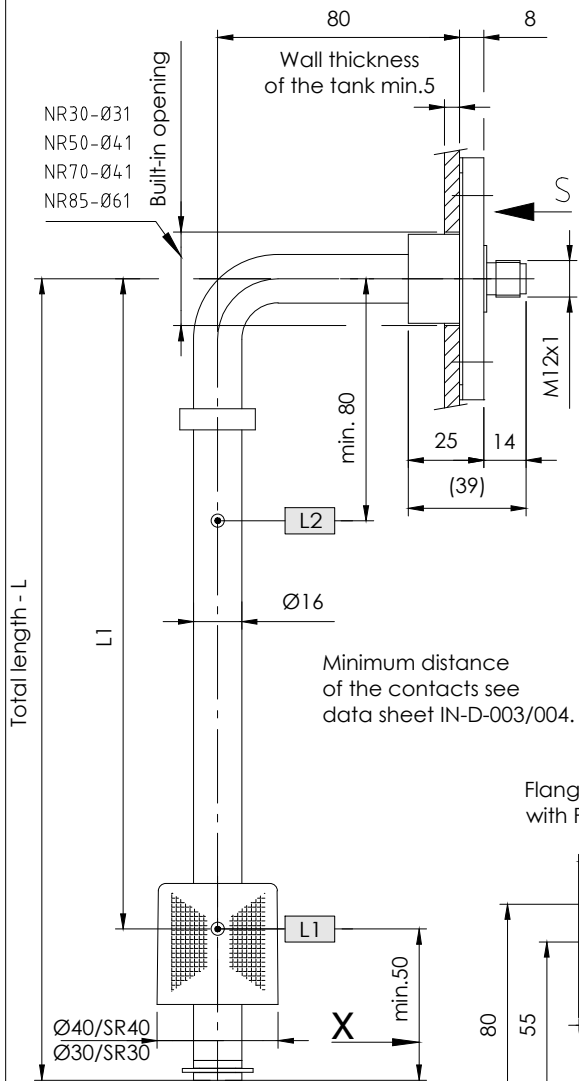


NR 30 / 50 / 70 / 85 - V

Level regulator for tank insert

serial No. Date
IN - GB - 104 - 07/23



Order code

Specimen order

NR50-V-SR40-L270-01-L1/200/S-T70Ö-M12-24V

Tank connection:
Flange NR30
Flange NR50
Flange NR70
Flange NR85

Float type
SR30
SR40

Total length-L
of switching tube(mm)

Level contact type
01 = fixed, plain
02 = fixed, changeover

Switching point L1-L3/
mm from sealing edge
Ö = break
S = make
W = changeover
Function with
increasing level

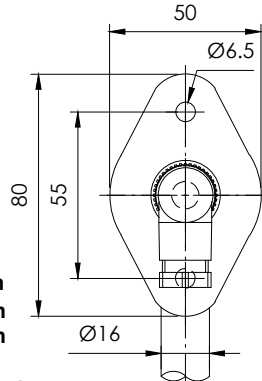
Plug socket connector:
M12 - 24V
3+PE-DIN 43650
6+PE-DIN 43651

Operating voltage
VDC 10-36 = 24V
VAC 10-230 = 250V

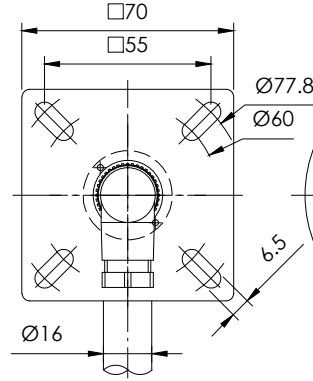
Pt100
Pt1000
Thermal contact
T10Ö
T40Ö
T50Ö
T60Ö (S)
T70Ö (S) (preferred break)
T80Ö (S)
T90Ö
(Indicate T1... - T2... for two thermal contacts)

View S

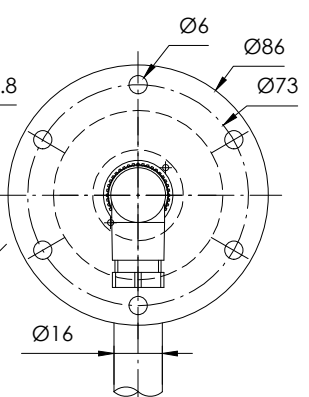
Flange NR30/50
with Plug connection



Flange NR70
with Plug connection



Flange NR85
with Plug connection



X = L1 - L3 (01) + 1 Thermal contact + 70mm
L1 - L2 (02) + 1 Thermal contact + 80mm
L1 - L2 + Pt100 / 1000 + 60mm
When ordering Pt100 / 1000
indication of connection II / III / IV- conductors.

Description

The level regulator type NR 30 / 50 / 70 / 85 - V for tank insert is a solenoid switch operating without contact with the function of monitoring and regulating liquid levels and temperatures. The switching tube contains bistable protective gas contacts. For fixed contacts, the contact intervals and their functions must be given.

The permanent magnet built into the float switches the contacts when the level changes.

The switching difference (hysteresis) is 4 mm.

For temperature monitoring and regulation, thermal elements such as Pt100 / Pt1000 and thermal contacts can be additionally incorporated.

The level controller is maintenance - free when nondeposit media are used.

For inductive loads, a protective circuit must be provided (free-wheeling diode/RC element).

The device must only be installed by specialists.

Max. viscosity 150mm²/S

Technical data

Switching tube

Brass (MS)

max. L = 1000mm

Connection flange

NR30 / NR50 / NR70 / NR85

PA - Polyamide with flat seal

Nominal pressure

1 bar max.

Temperature of medium

100°C max.

Float

Hard PU, Type: SR30

Hard PU, Type: SR40

Medium density

0,80 kg/dm³ min.

Level contacts

bistable make / break / changeover fixed

Operating voltage

250V AC / DC max.

Contact details

Datasheet: IN-GB-003/004

Thermal elements

Pt100 / Pt1000 DIN EN 60751

Datasheet: IN-GB-005

Thermal contacts

Switchpoint: ± 5K

Hysteresis: 20K ± 5K

Number of functions

max. 3 can be incorporated

Mounting position

vertical ± 30°

Technical data



GOLDAMMER
REGELUNGSTECHNIK GMBH

SCHÖLLERSHEIDER STR. 15
POSTFACH 10 02 17
D-40802 METTMANN

TELEFON 02104/12093
TELEFAX 02104/12028

www.Goldammer-Regelungstechnik.com
info@goldammer-regelungstechnik.com

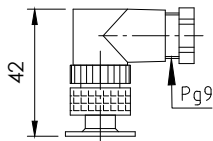
Level regulator

Plug variants and terminal pin assignment

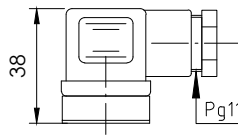
serial No. Date
IN - GB - 104 - 07/23

Standard pin assignment
 Function with increasing level / temperature

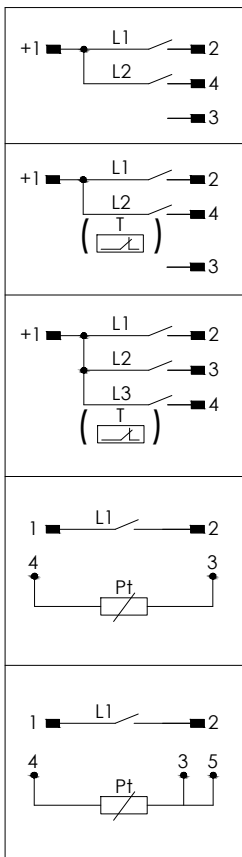
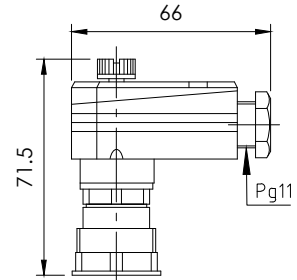
Plug connection
 M12 IP67
 5-polig



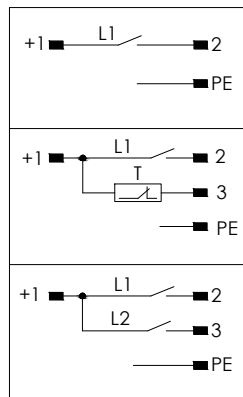
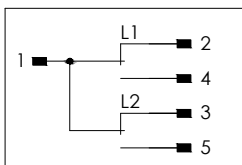
Plug connection
 3+PE IP65
 EN 175301-803
 (DIN 43650)



Plug connection
 6+PE IP65
 EN 175201-804
 (DIN 43651)



Circuit diagram
 02 = fixed-changeover



Circuit diagram
 02 = fixed-changeover

