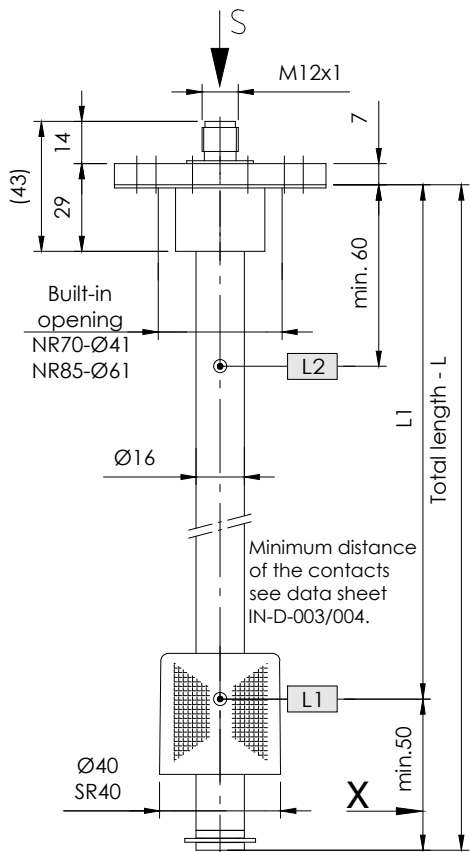


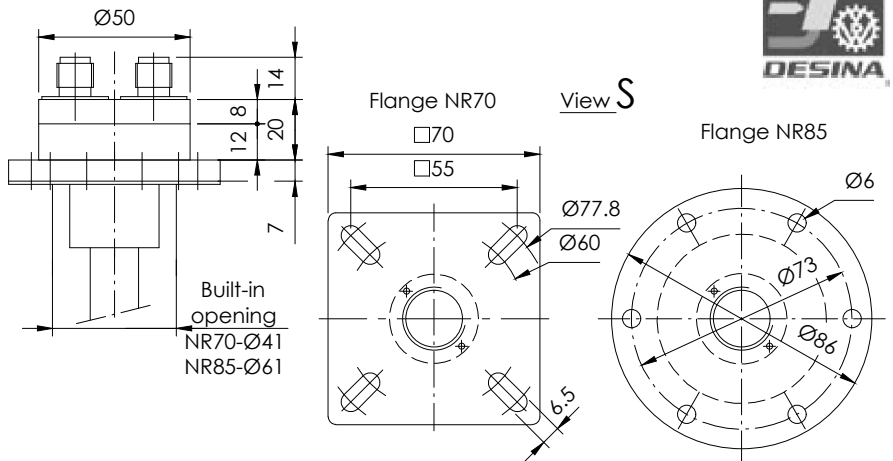
NR 70 / NR85 - Desina

Level regulator for tank insert

serial No. Date
IN - GB - 105B - 03/24



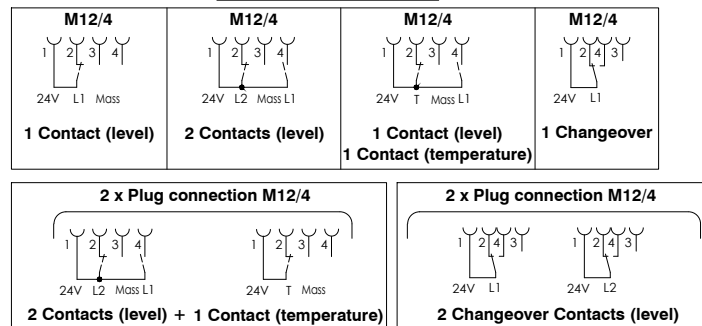
Surface-mounted flange with
2 x Plug connection M12



$X = L1 - L2 (01/03) + 1 \text{ Thermal contact} + 70\text{mm}$
 $L1 - L2 (02/04) + 1 \text{ Thermal contact} + 80\text{mm}$
 $L1 - L2 + \text{Pt100 / 1000} + 60\text{mm}$
 When ordering Pt100 / 1000
 indication of connection II / III / IV- conductors.

Pin assignment

DESINA - Standard



Function with falling level

Specimen order

NR70 - SR40 - L370 - 03 - L1/300/S - T70Ö - MS - M12 - Desina

Order code

Tank connection:
Flange NR70
Flange NR85

Total length-L
of switching tube(mm)
Standard length
L=250, 370, 500, 800mm

Switching point L1-L3/
mm from sealing edge
Ö = break
S = make
W = changeover
Function with
increasing level

Pt100
Thermal contact
T10Ö
T40Ö
T50Ö
T60Ö (S)
T70Ö (S) (preferred
break)
T80Ö (S)
T90Ö
(Indicate T1... - T2... for
two thermal contacts)

Plug socket connector:
M12 - 24V

Execution:
MS - Brass
VA - Stainless steel
Switching tube, Flange
VAPA - Flange - PA
- Switching tube - VA
(PA - Polyamide)

Float type
SR40

Level contact type
01 = fixed, plain
02 = fixed, changeover
03 = adjustable, plain
04 = adjustable, changeover

Description

The level regulator type NR 70 / 85 for tank insert is a solenoid switch operating without contact with the function of monitoring and regulating liquid levels and temperatures. The switching tube contains bistable protective gas contacts. They may be fixed or alternatively mounted as an adjustable contact cartridge on a perforated strip. For fixed contacts, the contact intervals and their functions must be given. Plain contact cartridges can be subsequently adjusted for height. The function of make or break can then be altered by turning the cartridge through 180° degrees. The permanent magnet built into the float switches the contacts when the level changes. The switching difference (hysteresis) is 4 mm. For temperature monitoring and regulation, thermal elements such as Pt100 and thermal contacts can be additionally incorporated. The level controller is maintenance - free when nondeposit media are used. For inductive loads, a protective circuit must be provided (free-wheeling diode/RC element).

The device must only be installed by specialists.

Max. viscosity 320mm²/S

Technical data

Switching tube Brass (MS), Stainless steel (VA)
max. L = 2000mm
Connection flange NR70 / NR85, Polyamide (PA)
or Stainless steel (VA) with flat seal
1 bar max.
Nominal pressure 100°C max.
Temperature of medium
Float Hard PU, Type: SR40
Medium density 0,80 kg/dm³ min.
Level contacts bistable make / break / changeover
optional fixed or adjustable
serie M12 IP67 - 24V max.
Datasheet IN-GB-003(004)
Pt100, sensor, thermal contact
max. 3 can be incorporated
vertical ± 30°

Technical data



GOLDAMMER
REGELUNGSTECHNIK GMBH

SCHÖLLERSHEIDER STR. 15
POSTFACH 10 02 17
D-40802 METTMANN

TELEFON 02104/12093
TELEFAX 02104/12028

www.Goldammer-Regelungstechnik.com
info@goldammer-regelungstechnik.com