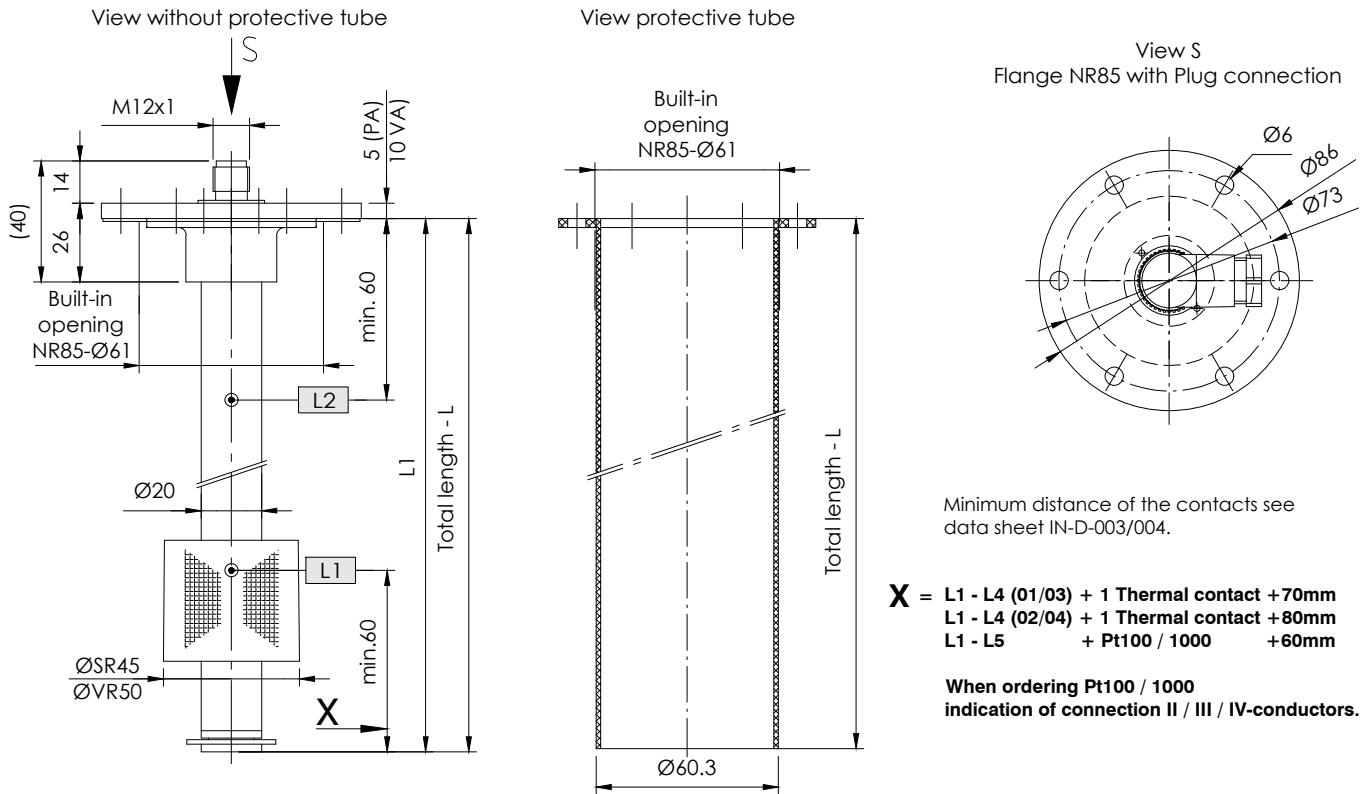


NR 85

Level regulator for tank insert

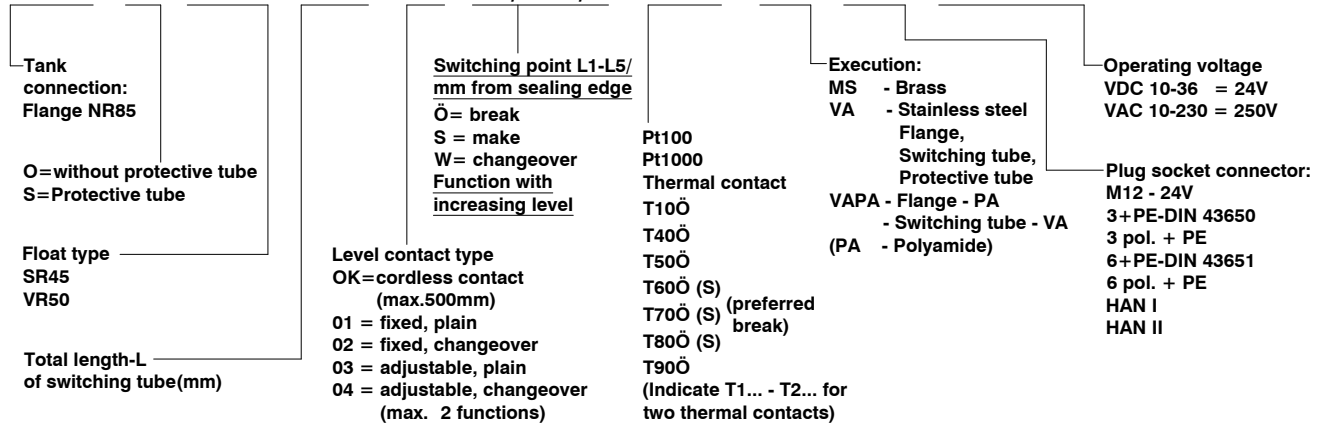
serial No. Date
IN - GB - 108 - 08/23



Specimen order

NR85 - O - SR45 - L370 - 03 - L1/300/S - T70Ö - MS - M12 - 24V

Order code



Description

The level regulator type NR 85 for tank insert is a solenoid switch operating without contact with the function of monitoring and regulating liquid levels and temperatures. The switching tube contains bistable protective gas contacts. They may be fixed or alternatively mounted as an adjustable contact cartridge on a perforated strip. For fixed contacts, the contact intervals and their functions must be given. Plain contact cartridges can be subsequently adjusted for height. The function of make or break can then be altered by turning the cartridge through 180° degrees. The permanent magnet built into the float switches the contacts when the level changes. The switching difference (hysteresis) is 4 mm. For temperature monitoring and regulation, thermal elements such as Pt100 / Pt1000 and thermal contacts can be additionally incorporated. The level controller is maintenance - free when nondeposit media are used. For inductive loads, a protective circuit must be provided (free-wheeling diode/RC element). The device must only be installed by specialists.

Max. viscosity 320mm²/S

Technical data

Protective tube	Stainless steel (VA)
Switching tube	Brass (MS), Stainless steel (VA) max. L = 2000mm
Connection flange	NR85, VA or PA - Polyamide with flat seal
Nominal pressure	1 bar max.
Temperature of medium	100°C max.
Float	Hard PU, Type: SR45 Stainless steel, Type: VR50
Medium density	0,80 kg/dm ³ min.
Level contacts	bistable make / break / changeover optional fixed or adjustable
Operating voltage	250V AC / DC max.
Contact details	Datasheet: IN-GB-003/004
Thermal elements	Pt100 / Pt1000 DIN EN 60751 Datasheet: IN-GB-005
Thermal contacts	Switchpoint: ± 5K Hysteresis: 20K ± 5K Datasheet: IN-GB-006
Number of functions	max. 5can be incorporated
Mounting position	vertical ± 30°

Technical data



GOLDAMMER
REGELUNGSTECHNIK GMBH

SCHÖLLERSHEIDER STR. 15
POSTFACH 10 02 17
D-40802 METTMANN

TELEFON 02104/12093
TELEFAX 02104/12028

www.Goldammer-Regelungstechnik.com
info@goldammer-regelungstechnik.com

Level regulator

Plug variants and terminal pin assignment

serial No. Date
IN - GB - 108 - 08/23

Standard pin assignment

Function with increasing level / temperature

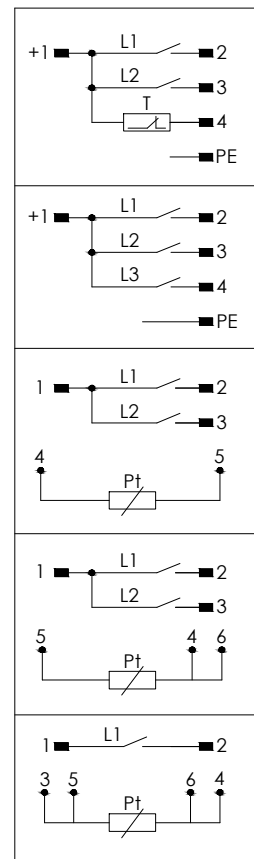
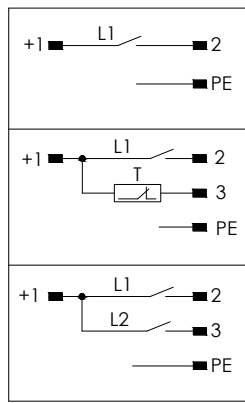
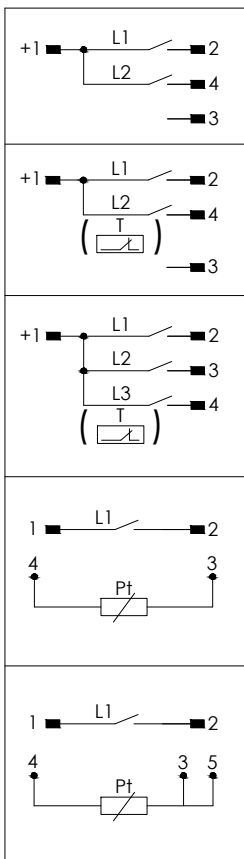
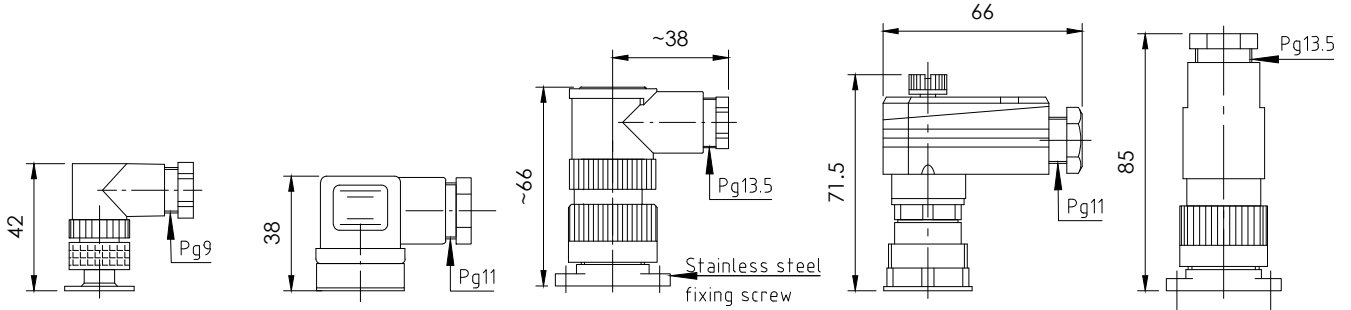
Plug connection
M12 IP67
5-polig

Plug connection
3+PE IP65
EN 175301-803
(DIN 43650)

Plug connection
3 pol.+PE
IP67

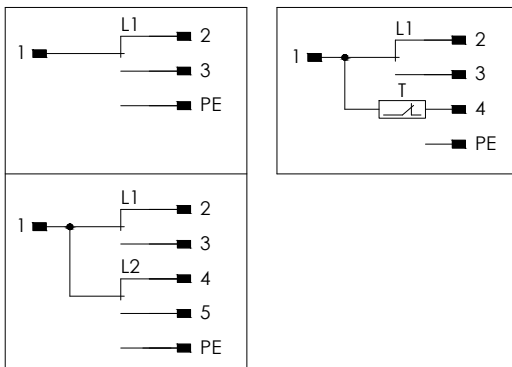
Plug connection
6+PE IP65
EN 175201-804
(DIN 43651)

Plug connection
6 pol.+PE
IP67



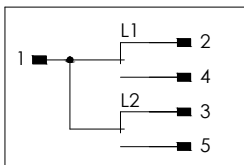
Circuit diagram

02 = fixed-changeover / 04 = adjustable-changeover

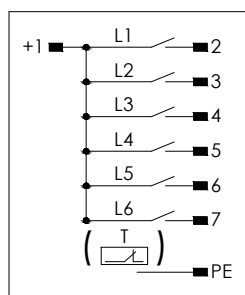
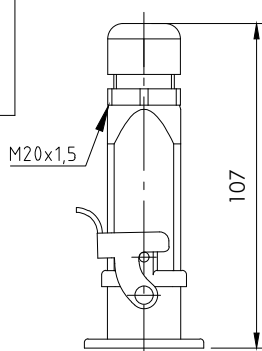


Circuit diagram

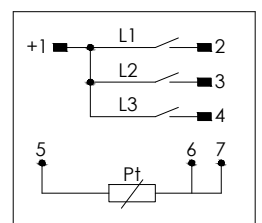
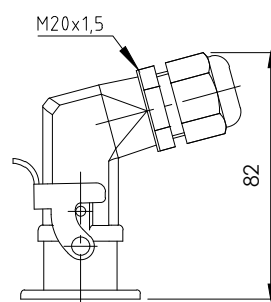
02 = fixed-changeover /
04 = adjustable-changeover



Plug connection
HAN II
IP65



Plug connection
HAN I
IP65



Right of technical changes reserved.

Goldammer Regelungstechnik GmbH