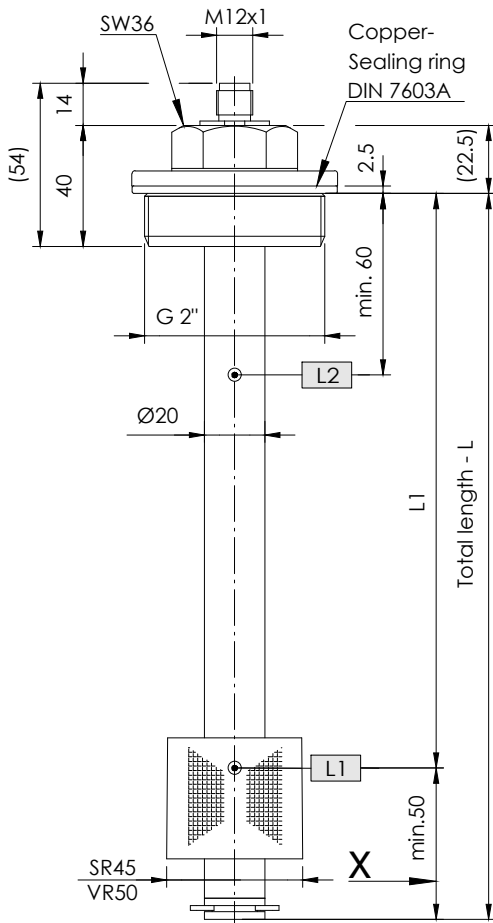


# NR 2"

## Level regulator for tank insert

serial No. Date  
IN - GB - 115 - 02/24



Order code

### Specimen order

**NR 2"-SR45-L370-03-L1/300/S-T70Ö-MS - M12 - 24V**

Tank connection:  
G 2"

Float type  
SR45  
VR50

Total length-L  
of switching tube(mm)

Level contact type  
OK=cordless contact (max.500mm)  
01 = fixed, plain  
02 = fixed, changeover  
03 = adjustable, plain  
04 = adjustable, changeover  
(max. 2 functions)

Switching point L1-L3/  
mm from sealing edge  
Ö= break  
S = make  
W= changeover  
Function with  
increasing level

Plug socket connector:  
M12 - 24V  
3+PE-DIN 43650  
3 pol. + PE  
6+PE-DIN 43651  
6 pol. + PE

Operating voltage  
VDC 10-36 = 24V  
VAC 10-230 = 250V

Pt100  
Pt1000  
Thermal contact  
T10Ö  
T40Ö  
T50Ö  
T60Ö (S)  
T70Ö (S) (preferred  
break)  
T80Ö (S)  
T90Ö  
(Indicate T1... - T2...  
for two thermal contacts)

Execution:  
MS -Brass  
VA - Stainless steel  
Switching tube,  
Connection thread

Minimum distance of the contacts  
see data sheet IN-D-003/004.

**X = L1 - L2 (01/03) + 1 Thermal contact + 70mm**  
**L1 - L2 (02/04) + 1 Thermal contact + 80mm**  
**L1 - L2 + Pt100 / 1000 + 60mm**  
When ordering Pt100 / 1000  
indication of connection II / III / IV- conductors.

## Description

The level regulator type NR 2" for tank insert is a solenoid switch operating without contact with the function of monitoring and regulating liquid levels and temperatures. The switching tube contains bistable protective gas contacts. They may be fixed or alternatively mounted as an adjustable contact cartridge on a perforated strip. For fixed contacts, the contact intervals and their functions must be given. Plain contact cartridges can be subsequently adjusted for height. The function of make or break can then be altered by turning the cartridge through 180° degrees. The permanent magnet built into the float switches the contacts when the level changes. The switching difference (hysteresis) is 4 mm. For temperature monitoring and regulation, thermal elements such as Pt100 / Pt1000 and thermal contacts can be additionally incorporated. The level controller is maintenance - free when nondeposit media are used. For inductive loads, a protective circuit must be provided (free-wheeling diode/RC element).

The device must only be installed by specialists.

**Max. viscosity 320mm<sup>2</sup>/S**

## Technical data

Switching tube	Brass (MS), Stainless steel (VA) max. L = 2000mm
Connection thread	G 2", SW36 - Stainless steel with Copper - Sealing ring
Nominal pressure	1 bar max. - Float SR45 10 bar max. - Float VR50
Temperature of medium	100°C max.
Float	Hard PU, Type: SR45 Stainless steel, Type: VR50
Medium density	0,80 kg/dm <sup>3</sup> min.
Level contacts	bistable make / break / changeover optional fixed or adjustable 250V AC / DC max.
Operating voltage	Datasheet: IN-GB-003/004
Contact details	Pt100 / Pt1000 DIN EN 60751
Thermal elements	Datasheet: IN-GB-005
Thermal contacts	Switchpoint: ± 5K Hysteresis: 20K ± 5K
Number of functions	max. 3 can be incorporated
Mounting position	vertical ± 30°

Technical data



**GOLDAMMER**  
REGELUNGSTECHNIK GMBH

SCHÖLLERSHEIDER STR. 15  
POSTFACH 10 02 17  
D-40802 METTMANN

TELEFON 02104/12093  
TELEFAX 02104/12028

www.Goldammer-Regelungstechnik.com  
info@goldammer-regelungstechnik.com

# Level regulator

## Plug variants and terminal pin assignment

serial No. Date  
IN - GB - 115 - 02/24

Standard pin assignment  
Function with increasing level / temperature

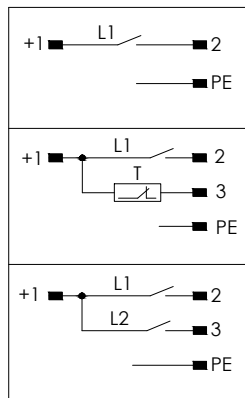
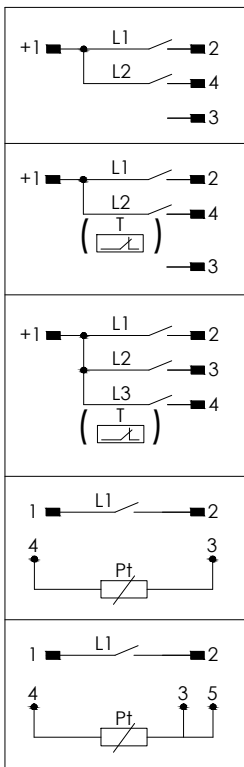
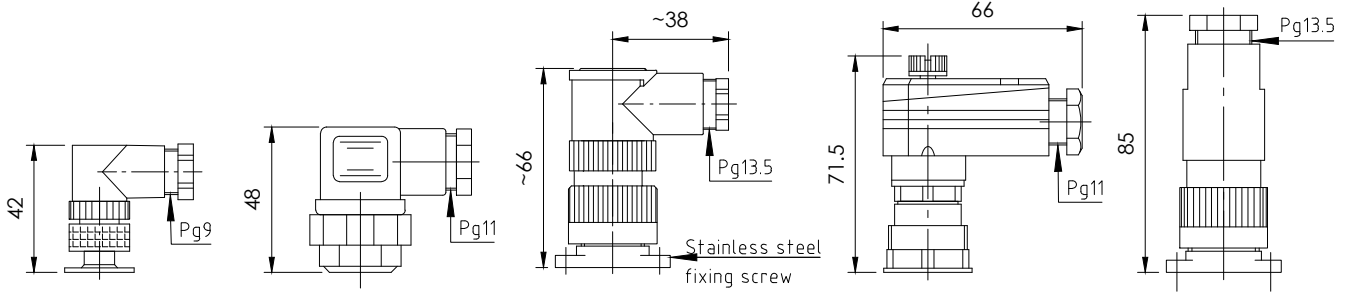
Plug connection  
M12 IP67  
5-polig

Plug connection  
3+PE IP65  
EN 175301-803  
(DIN 43650)

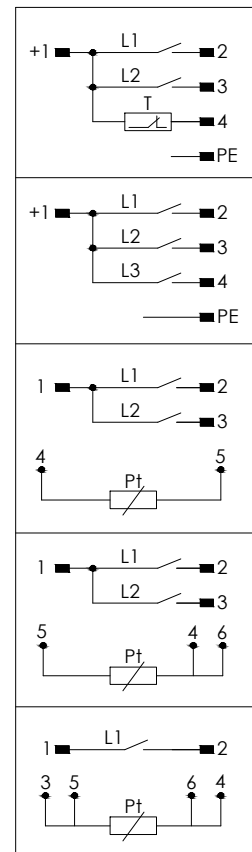
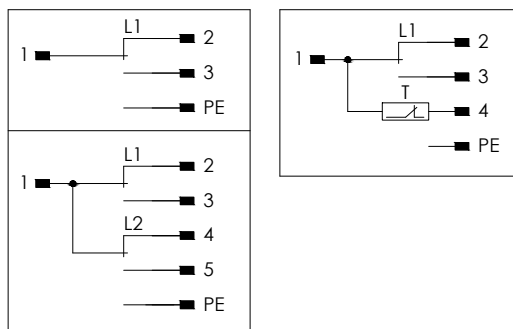
Plug connection  
3 pol.+PE  
IP67

Plug connection  
6+PE IP65  
EN 175201-804  
(DIN 43651)

Plug connection  
6 pol.+PE  
IP67



Circuit diagram  
02 = fixed-changeover / 04 = adjustable-changeover



Circuit diagram  
02 = fixed-changeover /  
04 = adjustable-changeover

