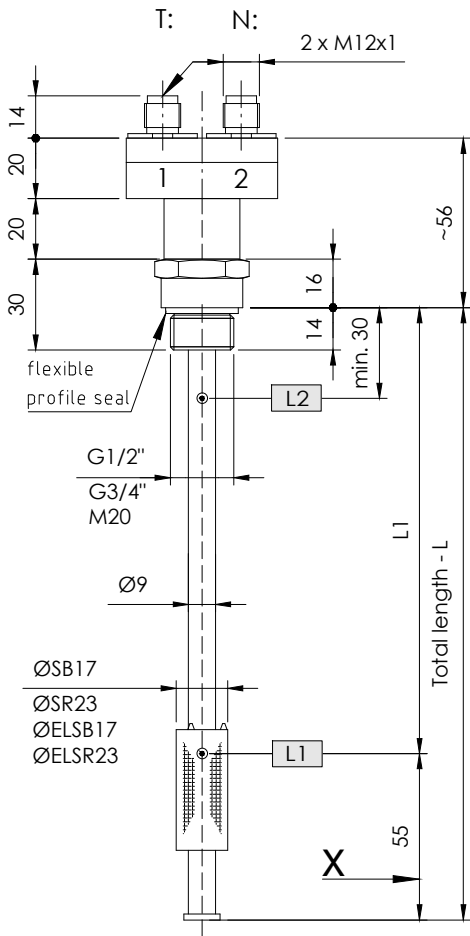


# NR 1/2"A - 3/4"A - M20A - TMA...

Level - temperature regulator for tank insert  
Temperature output 4-20mA

serial No. Date  
MA - GB - 300/0A 03/24



$$X = L1 - L2 + 1 \text{ Thermal contact} = 70\text{mm}$$

Minimum distance of contacts  
see data sheet IN-D-003.

## Specimen order

NR1/2"A-TMA-SB17-L245-01-L1/190/S-TF70Ö-2M12-24V

Tank-connection:  
G1/2"A  
G3/4"A  
M20A

Float type  
SB17  
SR23  
ELSB17  
ELSR23

Total length - L  
switching tube (mm)

Switching point L1-L2/  
mm from sealing edge

Ö = break  
S = make  
Function with  
increasing level

Level contact type  
01 = fixed contact

Plug socket  
connector:  
2 x M12 - 24V

Thermal contact  
TF10Ö  
TF40Ö  
TF50Ö  
TF60Ö (S)  
TF70Ö (S) (Ö preferred)  
TF80Ö (S)  
TF90Ö

Operating voltage  
VDC 12-30 = 24V

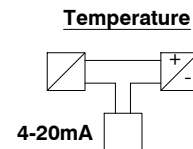
Order code

Plug assignment

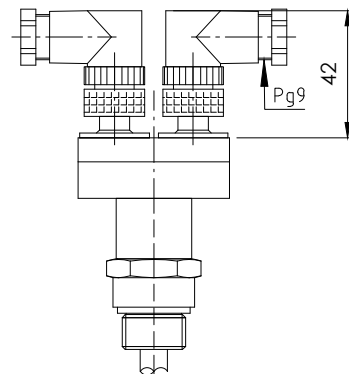
Connector variants

## Plug assignment power supply

- 1 T: 1 = Temperature  
2 = +24VDC
- 2 N: 3 - 4 = L1  
3 - 5 = L2 (TF)



Plug connection  
2 x M12 IP67  
5-polig



## Description

The type NR1/2"A - TMA... level controller for installation in tanks is a contactless - operating magnetic switch and is used for monitoring and controlling liquid levels and temperatures.

Bistable protective gas contacts are installed in the switch tube. For fixed contacts, the contact intervals and their function must be given.

The permanent magnet fitted in the float switches the contacts if the level changes.

The switching difference (hysteresis) is 4 mm. With the TMA version, the temperature-related signal output from a Pt100 mounted in the switch tube is converted to 4-20 mA by the built-in transducer.

The level regulator is maintenance - free when nondeposit media are used. For inductive loads, a protective circuit must be provided (free-wheeling diode/RC element). The device must be installed by specialists only.

Max. viscosity 150mm<sup>2</sup>/S

## Technical data

Switch tube  
Connecting thread

Brass, max. L = 800mm  
Brass: G 1/2", SW27  
Brass: G 3/4", SW32  
Brass: M20 x 1,5

Nominal pressure  
Temperature of medium  
Float

1 bar max.  
80°C max.  
Hart-PU, Type: SB17, SR23  
Ceramic, Type: ELSB17, ELSR23

Level contacts  
Switching current  
Switching capacity  
Operating voltage  
Measuring range  
Thermal element  
Thermal contact

max. 2, make / break  
Datasheet IN-D-003  
Datasheet IN-D-003  
12V ... 30V DC  
4-20 mA = 0-100°C  
Pt100  
Switching point: ±5K  
Hysteresis: 20K ±5K

Load

RB = U-12V  
20mA

Installed position

Vertical ± 30°

Other temperature ranges on request

Technical data



GOLDAMMER  
REGELUNGSTECHNIK GMBH

SCHÖLLERSHEIDER STR. 15  
POSTFACH 10 02 17  
D-40802 METTMANN

TELEFON 02104/12093  
TELEFAX 02104/12028

www.Goldammer-Regelungstechnik.com  
info@goldammer-regelungstechnik.com