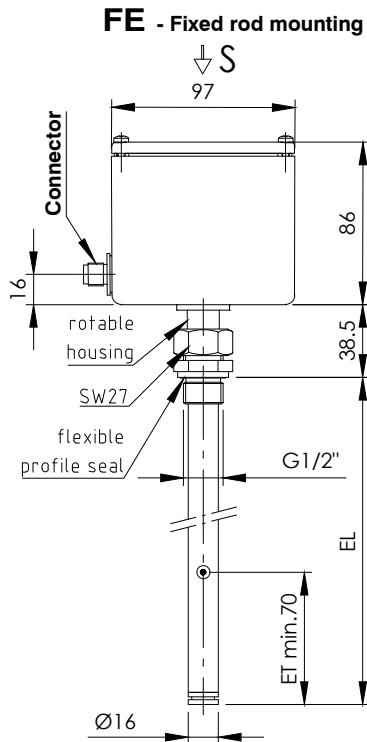


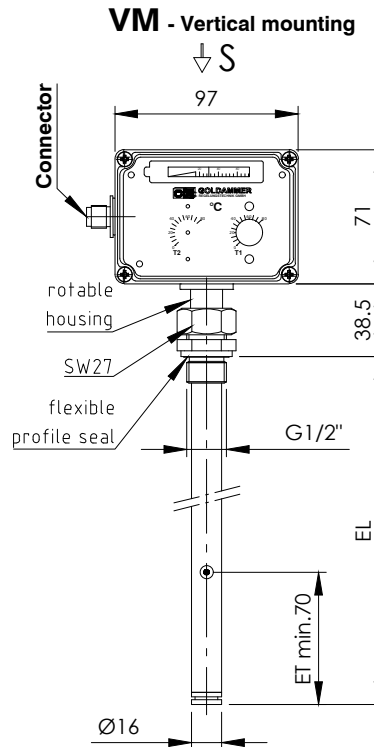
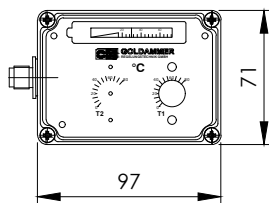
TR 12 - T - Plug connector

Temperature - Capillary tube - Regulator 0°C - 80°C

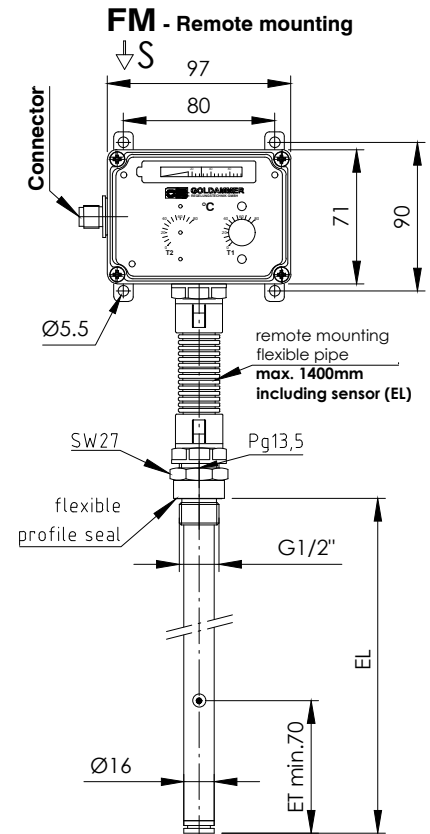
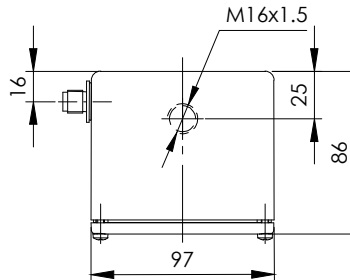
serial No. Date
TR - GB - 500B/4 - 06/26



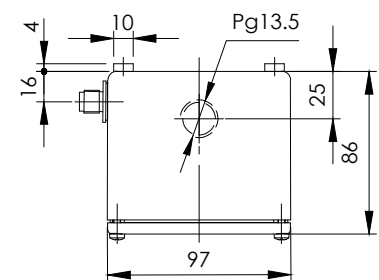
view S



view S



view S



Specimen order

TR 12 - T2 - A - FE - 300 - MS - III - 1M12 - TF70Ö - 24V - 0

Temperature
T1 = 1 contact
T2 = 2 contacts

A = actual display
of temperature
O = without display

FE = Fixed rod mounting
VM = Vertical mounting
FM = Remote mounting

EL= dip tube
length (mm)
100 500
200 800
300 900
400

MS - Brass
VA - Stainless
steel

III = 0°C to 80°C

Plug connection:
DIN 43650
DIN 43651
1M12
2M12

Pt100
Thermal contact:
T10Ö
T40Ö
T50Ö
T60Ö (S)
T70Ö (S) (Ö preferred)
T80Ö (S)
T90Ö
(for 2 thermal contacts,
specify T1...T2...)

0 = together
1 = separately

Operating voltage:
VDC 10- 36= 24V
VAC 10-230=250V

ET = minimum immersion depth
in the medium for the probe to
archive an exact measurement.

Description

The TR 12-T temperature capillary tube regulator works on the principle of liquid extension. A change of temperature in the probe causes a change in volume. This force operates a potential free changeover contact through a membrane. The desired switching temperatures can be set separately. The range is between 0°C to 80°C. On request the devices will be supplied with a display of actual temperature. The probes are located in an immersion tube.

The device has to be installed by specialists only.

Housing cover with safety screws can be supplied on request.

Technical data

Switch housing
Probe bush
Operating pressure
Ambient temperature
Temperature display
Temperature relay
Temperature range
Switching accuracy
Switching difference
ET (immersion depth) min.
Thermal contact
Thermal element Pt100

ABS with Transparent lid
Brass (MS), Stainless steel (VA)
16 bar max.
-40°C bis +80°C
0°C to +120°C ±3°C
changeover 250V~, 10A
0°C to +80°C
±5K
5K±1K
70mm
Datasheet: IN - 006
Datasheet: IN - 005



GOLDAMMER
REGELUNGSTECHNIK GMBH

SCHÖLLERSHEIDER STR. 15
POSTFACH 10 02 17
D-40802 METTMANN

TELEFON 02104/12093
TELEFAX 02104/12028

www.Goldammer-Regelungstechnik.com
info@goldammer-regelungstechnik.com

TR 12 - T - Plug connector

0°C - 80°C

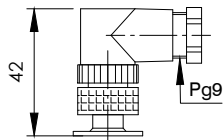
serial No. Date

Plug variants and terminal pin assignment

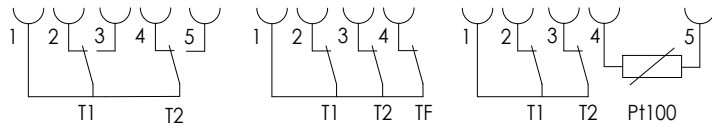
TR - GB - 500B/4 - 06/26

Standard pin assignment
Function under switching temperature

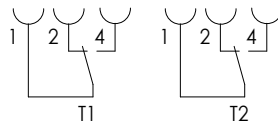
plug connection
M12 IP67
5-polig



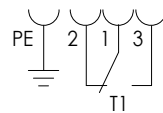
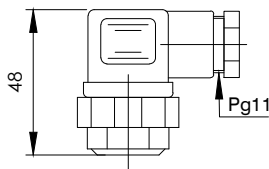
1M12 - 0
IP 67



2M12 - 1
IP 67



plug connection
3+PE IP65
EN 175301-803
(DIN 43650)



plug connection
6+PE IP65
EN 175201-804
(DIN 43651)

